

# COUNTER HOOK

TEST METHOD 1

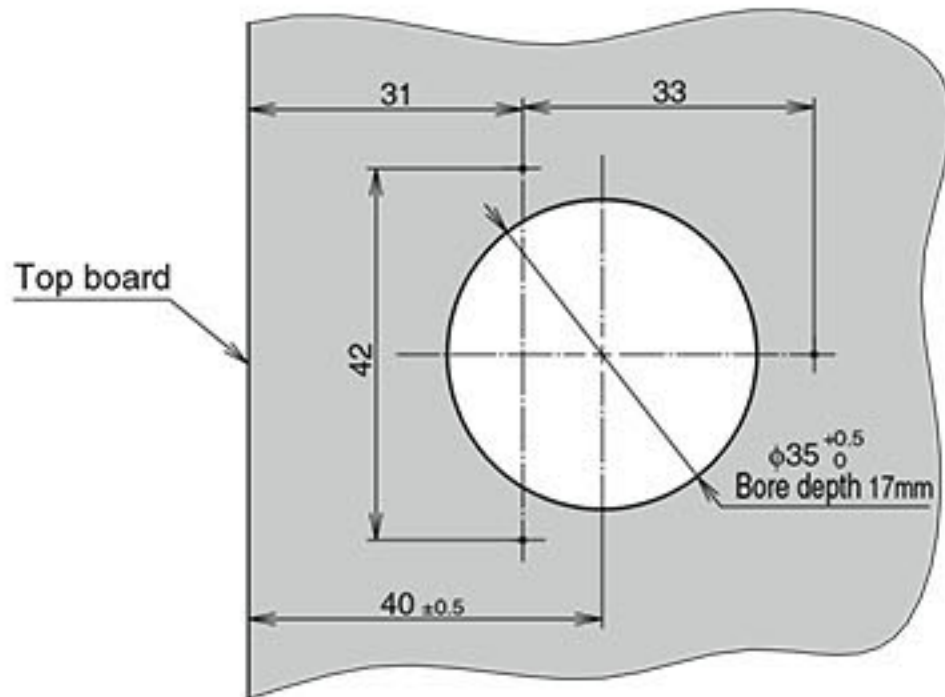
TEST METHOD 4

# HK-CH35

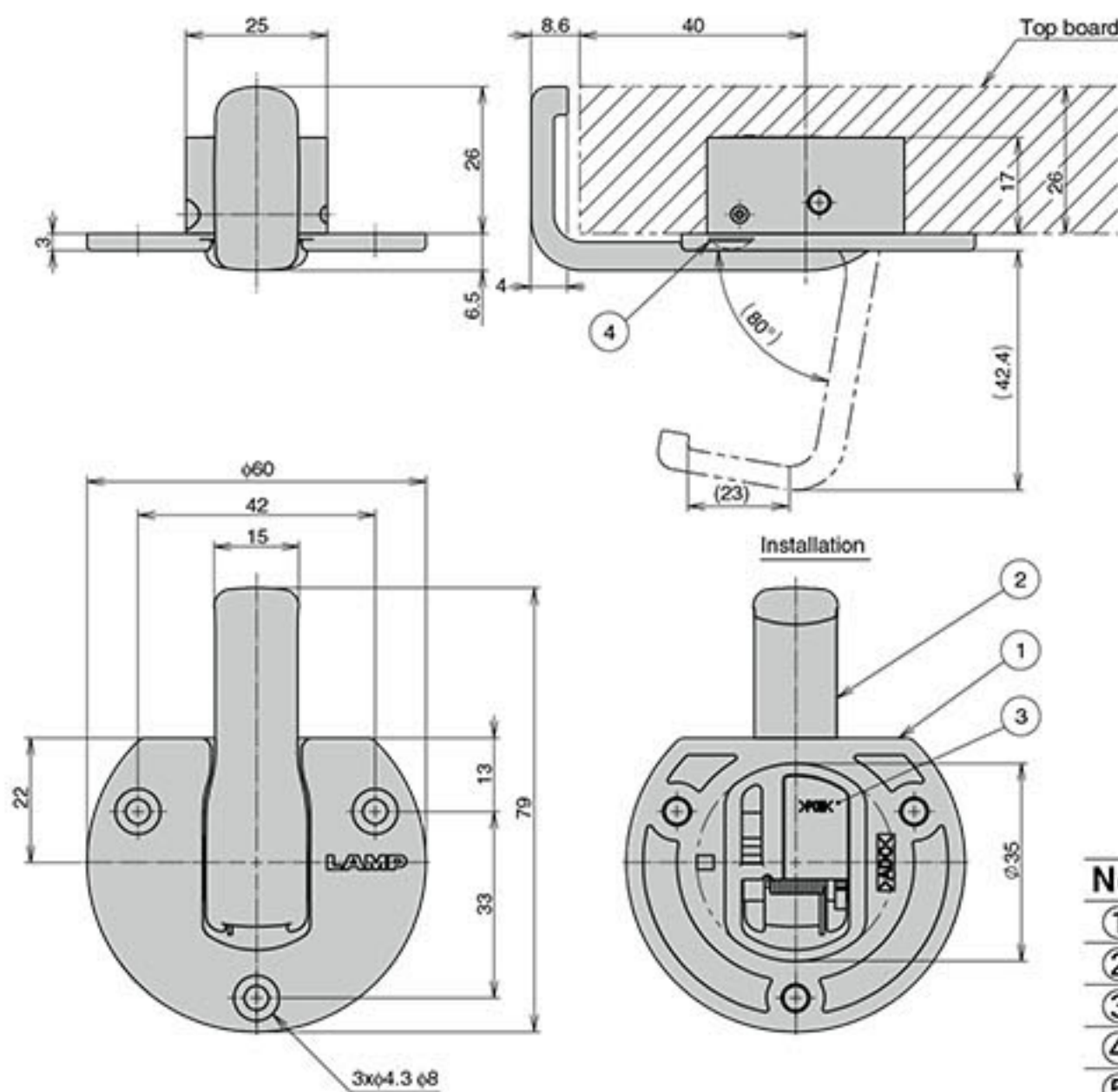


Colour shown on the picture might differ slightly from the actual products.

### Cut Out Dimensions



### Hook



### Hook

CAD	Item Code	Item Name	Colour	Load Capacity N	Load Capacity kgf	Weight (g)	Box (pcs)	Carton (pcs)
2030	110-037-828	HK-CH35-BL	Black	98	10	47.1	10	200
2030	110-037-829	HK-CH35-BR	Brown			47.1	10	200
2030	110-037-830	HK-CH35-SL	Silver			47.1	10	200

### Spacer

CAD	Item Code	Item Name	Thickness	Weight (g)	Box (pcs)	Carton (pcs)
2030	110-037-831	HK-CH35-DP3	3	5.1	100	1000

### Features

- When not in use, the hook will automatically retract.
- When retracted, the arm will be visible from the sides of the table or board making it easy to tell whether the hook is holding something or not.
- Applicable board thickness: Min. 26 mm. For board thickness below 26 mm, please use an optional spacer to adjust the hook installation position.

### Applications

Shop, facility, housing, etc.

### Remarks

Install to top board with adequate strength.

### Parts Included

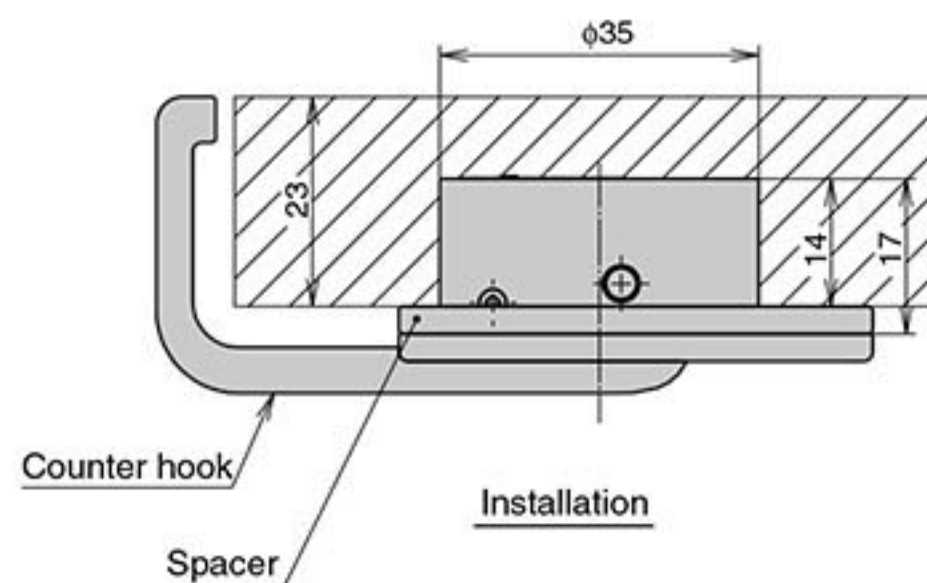
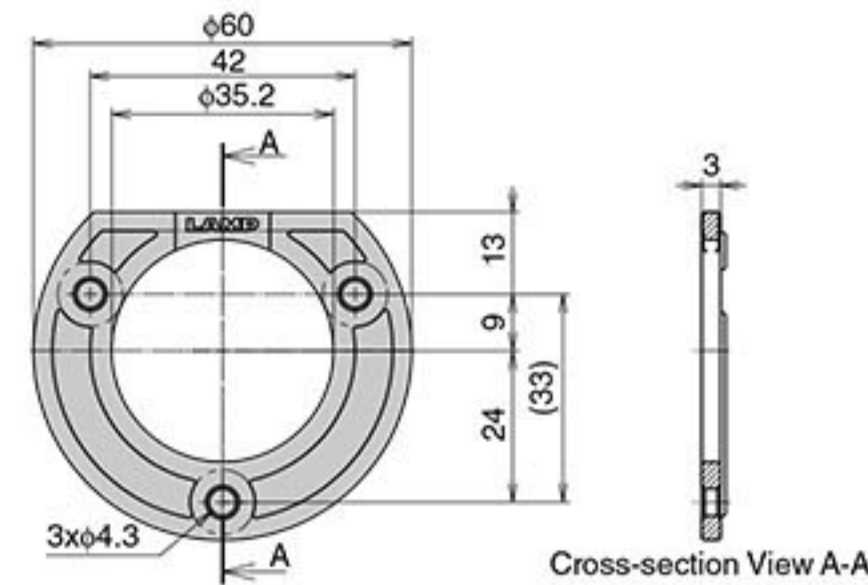
Countersunk head tapping screw 4x20

### Sold Separately

Spacer

Board Thickness	Qty of Spacers	Bore Depth
Min. 26 mm	None	17 mm
23 - 26 mm	1 pcs	14 mm
20 - 23 mm	2 pcs	11 mm
17 - 20 mm	3 pcs	8 mm

### Spacer



No.	Part Name	Material	Finish / Colour
①	Body	Aluminium Alloy (ADC)	Enamel Finish/Black, Silver, Brown
②	Arm	Aluminium Alloy (ADC)	Enamel Finish/Black, Silver, Brown
③	Cover	POM	-
④	Bumper	PUR	Clear
⑤	Spacer	PA	Black